



### Key Features:

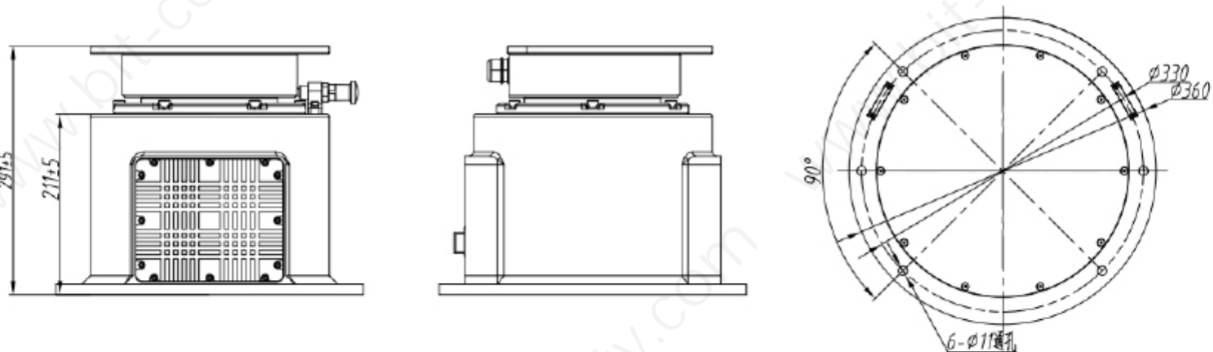
- Maximum load capacity 80kg/176lb
- Direct drive servo motor, high precision, quick response
- Die-cast aluminum material
- 360 degree continuous pan/azimuth rotation
- Pan/azimuth speed 0.01°~180°/S
- Preset accuracy: ±0.05°
- Self-lock with memory after power failure
- Support coordinate feedback and control
- Support lens preset, adaptive speed to zoom rate
- Rated IP66 for dust and water ingress

### General Description:

BIT-SPT80-D is a 80kg/176lb top load sing-axis pan rotator & positioner that will only rotate in pan direction, but not tilt direction. With built-in direct drive servo motor, its maximum rotation speed can reach up to 180°/S with 0.05 degree preset accuracy. It is made of die-cast aluminum material and equipped with default dual military style connectors. Many other advanced features are available on BIT-SPT80-D, including preset, cruising track, auto scan and guard location.

BIT-SPT80-D pan rotator & positioner is an ideal choice to load devices like video camera, dish/yagi antenna, loud speaker, spot light, etc and to work as positioning or tracking part of various systems including video surveillance, telecommunication, and border & costal defence.

### Dimension:



Blue Icon (Tianjin) Technology Co., Ltd.

F9, Macalline Business Center  
No. 29, Heiniucheng Rd.  
Hexi District 300210  
Tianjin, China

Email: sales@bit-cctv.com

Phone: +86-139-2068-8922

Website: www.bit-cctv.com

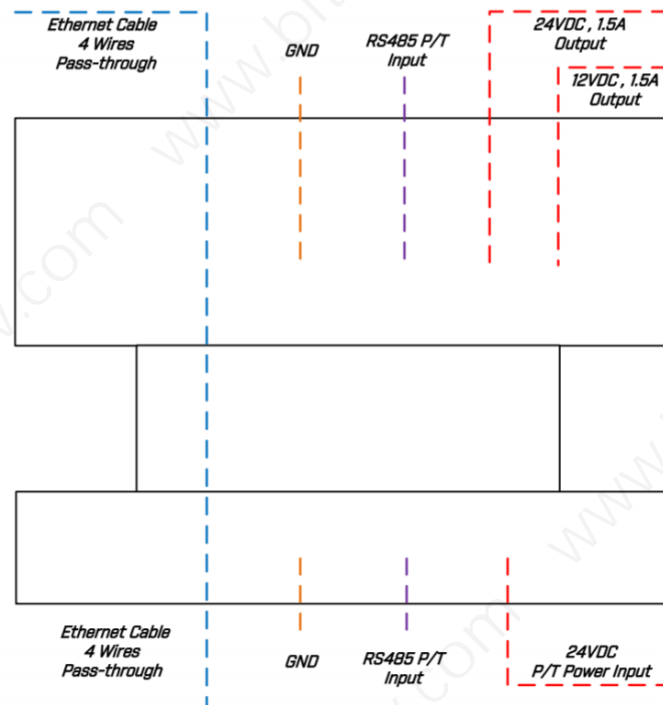


## Specifications:

| Model                            | BIT-SPT80-D  |
|----------------------------------|--|
| Max. Load Capacity               | 80kg/176lb, top load   |
| Rotation Angle                   | 360° continuous pan rotation   |
| Rotation Speed                   | Pan: 0.01°/s-180°/s  |
| Preset Accuracy                  | ± 0.05°  |
| Programmable Presets             | 200  |
| Cruising Track                   | 8, each with 10 preset positions   |
| Scan                             | 1  |
| Position Feedback                | Support position query/feedback via RS485 or optional real-time feedback via RS422   |
| Absolute Position                | Support  |
| Homing                           | Support with the time period of 1-60 min   |
| Self-lock                        | Support  |
| Start Movement                   | A series of movements for calibration when the unit is powered on which can't be canceled. External cabling may twist during the start movement. |
| Protocol                         | Pelco P/D  |
| Communication Interface          | RS485 or RS422 or RS232  |
| Baud Rate                        | 2400/4800/9600/19200 bps   |
| Transmission                     | Servo motor direct drive   |
| <b>Standard Wiring/Interface</b> |  |
| Pan Tilt Base                    | 100M Ethernet with RJ45 (4 wire, pass-through), 24V AC/DC (2 wire), GND  |
| Pan Tilt Top                     | 100M Ethernet with RJ45 (4 wire, pass-through), RS485 P/T control (2 wire), 12V DC (2 wire), 24V AC/DC (2 wire), GND                             |

| General             |   |
|---------------------|---|
| Operating Voltage   | DC24V±20 %                                |
| Power Consumption   | ≤90W                                      |
| Working Temperature | -40°C~+65 °C                              |
| Working Humidity    | 90±5% RH                                  |
| Storage Temperature | -40°C~+70°C                               |
| Protection Level    | IP66                                      |
| Material            | Aluminium Alloy                           |
| Weight              | 30kg/66lb                                 |
| Dimension L×W×H     | 360×360×291mm/14.17×14.17×11.46in (L×W×H) |

### Standard Wiring:



**Image Gallery:**

