



### Key Features:

- Maximum top load capacity 50kg (110.23lb)
- Pan angle: 360°continuous, tilt angle: -45°~+45°
- Pan speed 0.01-30°/s, tilt speed 0.01-15°/s
- Preset accuracy: ±0.1°
- High precision stepper motor and worm gear drive, anti-shake
- Self-lock with memory after power failure, strong wind resistance
- RS485/RS422 P/T control via Pelco D/P, optional Ethernet control
- Support absolute position and position response
- Anti-corrosion surface treatment
- Rated IP66 for dust and water ingress protection

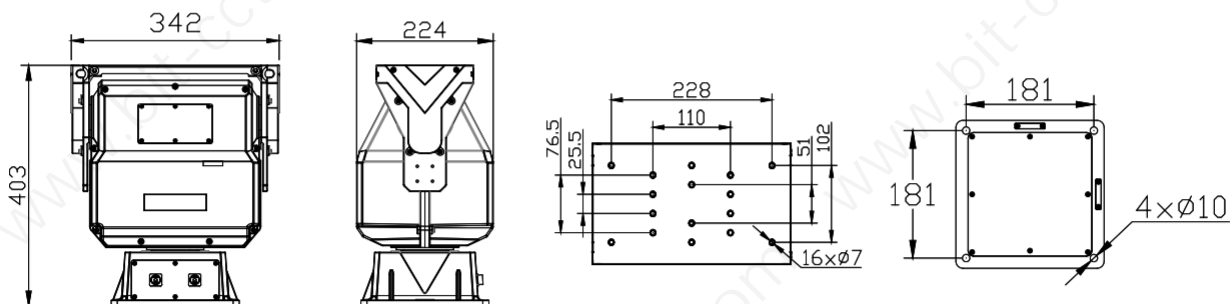
### General Description:

BIT-PT850 heavy duty pan tilt unit is a large size pan tilt with load capacity up to 50kg (110.23lb). It is AC/DC24V self-adaptive driven.

Via Pelco protocol, RS485 interface, it can be controlled by loaded cameras or a joystick controller. Made of die-cast aluminum alloy with additional corrosion surface treatment, it is IP66 ingress protection and ideal for long range pan tilt zoom positioning system applied in many critical area like airport, seaport, military infrastructure, and also for city, boarder application.

Camera housings are also available for your easy integration with cameras.

### Dimension:

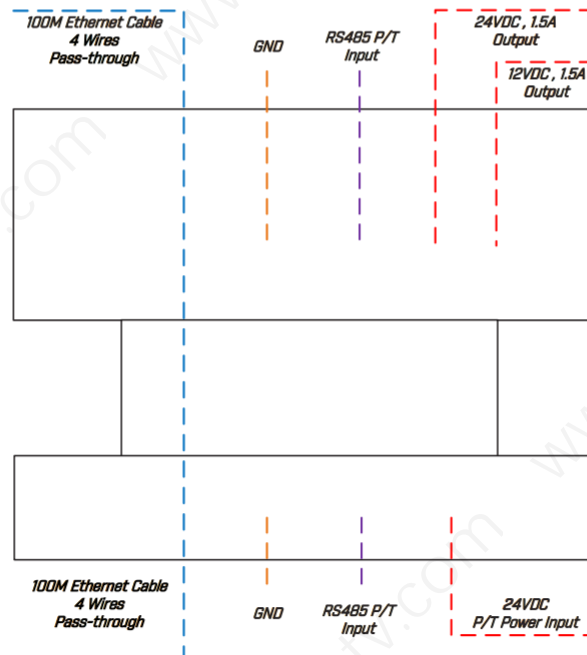


## Specifications:

<b>Model</b>	<b>BIT-PT850</b>
Max. Load Capacity	50kg/110lb top load
Rotation Angle	Pan: continuous 360°, Tilt: -45°~+45°
Rotation Speed	Pan: 0.01°/s~30°/s, Tilt: 0.01°/s~15°/s
Preset Accuracy	± 0.1°
Programmable Presets	255
Cruising Track	8, each with 32 preset positions
Scan	1
Position Feedback	Support position query/feedback via RS485 or optional real-time feedback via RS422
Absolute Position	Support
Guard Location	Support with 1 preset or 1 cruising track or 1 auto scan
Power Failure Memory	Support, back to PT position, scan/preset movement before power failure
Self-lock	Support
Start Movement	A series of movements for calibration when the unit is powered on
Protocol	Pelco P/D
Communication Interface	RS485,RS422 or RS232
Baud Rate	2400/4800/9600/19200 bps
Transmission	Worm gear in both pan and tilt
<b>Standard Wiring/Interface</b>	
Pan Tilt Base	100M Ethernet pass-through (4 wire), RS485 input (2 wire), 24VDC input (2 wire), GND
Pan Tilt Top	100M Ethernet pass-through (4 wire), RS485 input (2 wire), 12V DC output (2 wire), 24V DC output(2 wire), GND

General	
Operating Voltage	DC24V±10 % or AC24V±25 %, 50/60Hz
Power Consumption	≤100W
Lighting Surge Protection	Power: 4000V (line to ground: 4000V, line to line: 2000V) ommunication signal interface: 2000V (line to ground:2000V, line to line: 1000V)
Working Temperature	-35°C~+65 °C
Working Humidity	90±5% RH
Storage Temperature	-40 °C~+70 °C
Protection Level	IP66
Material	Aluminium Alloy
Weight	23kg/50.7lb
Dimension	224×341×403mm/8.81x12.42x15.864in [L*W*H]

### Standard Wiring:



## Image Gallery:



FRONT



SIDE



TOP



TRIPOD

### Blue Icon (Tianjin) Technology Co., Ltd.

F9, Macalline Business Center  
No. 29, Heiniucheng Rd.  
Hexi District 300210  
Tianjin, China

Email: [sales@bit-cctv.com](mailto:sales@bit-cctv.com)

Phone: +86-13920688922

Website: <https://www.bit-cctv.com>

Youtube: <https://youtube.com/@bitcctvsolutions>

